

Underground Closure—In-line Type



Key Specification

Dimension	W200×L490×H120mm	Weight	3.6-4.0Kg
Material	PP+GF	Protection level	IP68
No of entry cable	2 in & 2 out	Splice tray	Single fiber:24F
Cable diameter	Φ10mm~18mm	Max splicing capacity	Single fiber:72F
Sealing mode	Mechanical	Installation mode	Pole/Aerial/Manhole



Underground Closure—In-line Type



Key Specification

Dimension	W230 × L510 × H150mm	Weight	2.2-2.7Kg
Material	PP+GF	Protection level	IP68
No of entry cable	2 in & 2 out	Splice tray	Single fiber:24F
Cable diameter	Branch port: Φ 9mm~11mm Drop port: 16pcs 4~6mm	Max splicing capacity	Single fiber:72F
Sealing mode	Mechanical	Installation mode	Pole/Aerial/Manhole

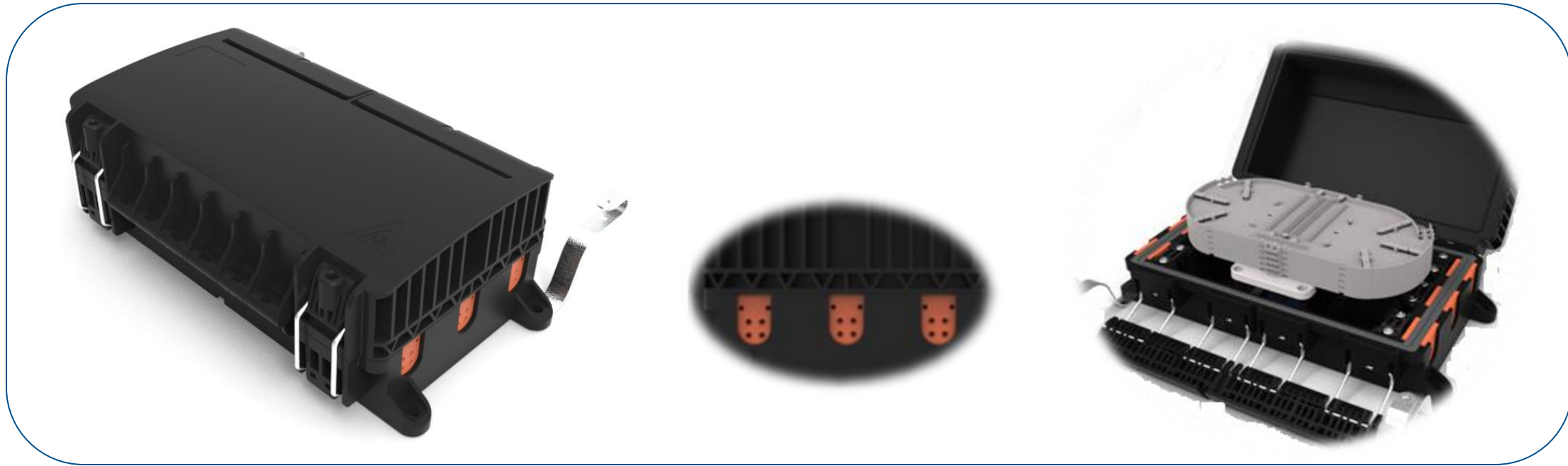
Underground Closure—In-line Type



Key Specification

Dimension	W209×L533×H104mm	Weight	6.0-7.0Kg
Material	PP+GF	Protection level	IP68
No of entry cable	3 in & 3 out	Splice tray	Single fiber:48F
Cable diameter	Side port: Φ 10mm~20mm Middle port: Φ 16mm~28mm	Max splicing capacity	Single fiber:288F
Sealing mode	Mechanical	Installation mode	Manhole/Duct

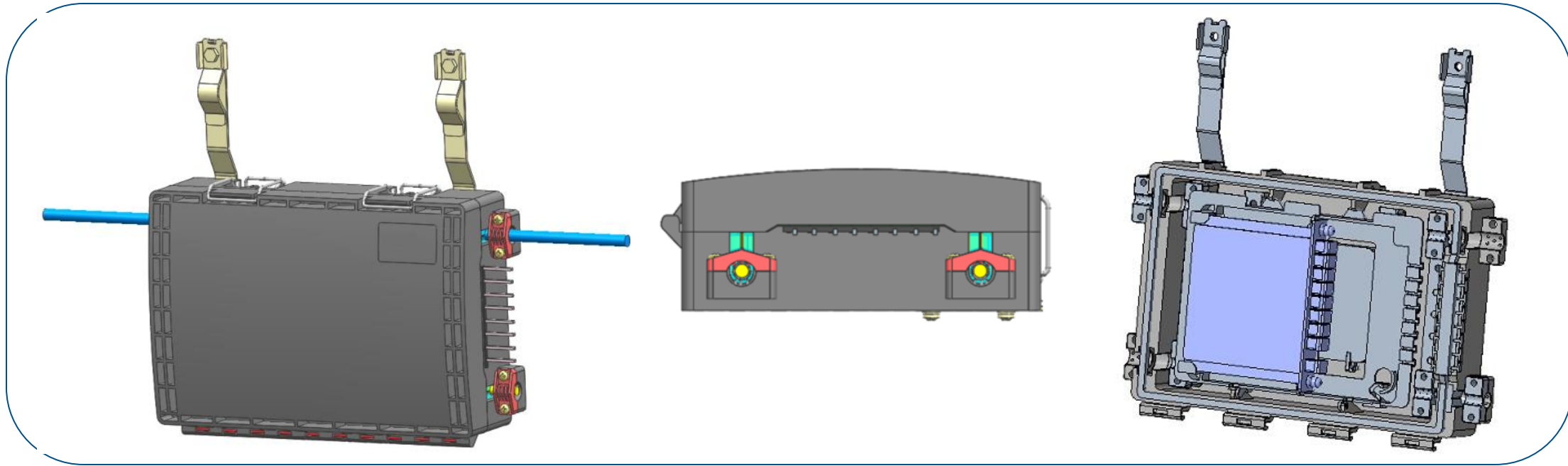
All in One Closure—In-line Type



Key Specification

Dimension	W201.5 × L356 × H115mm	Weight	2.0-2.5Kg
Material	PP+GF	Protection level	IP68
No of entry cable	3 in & 3 out	Splice tray	Single fiber:24F
Cable diameter	Φ3mm~17mm	Max splicing capacity	Single fiber:96F
Splitter type	1:8/1:16 Micro PLC	Adaptor type	16 pcs SC/UPC
Sealing mode	Mechanical	Installation mode	Pole/Aerial/Manhole/Burial

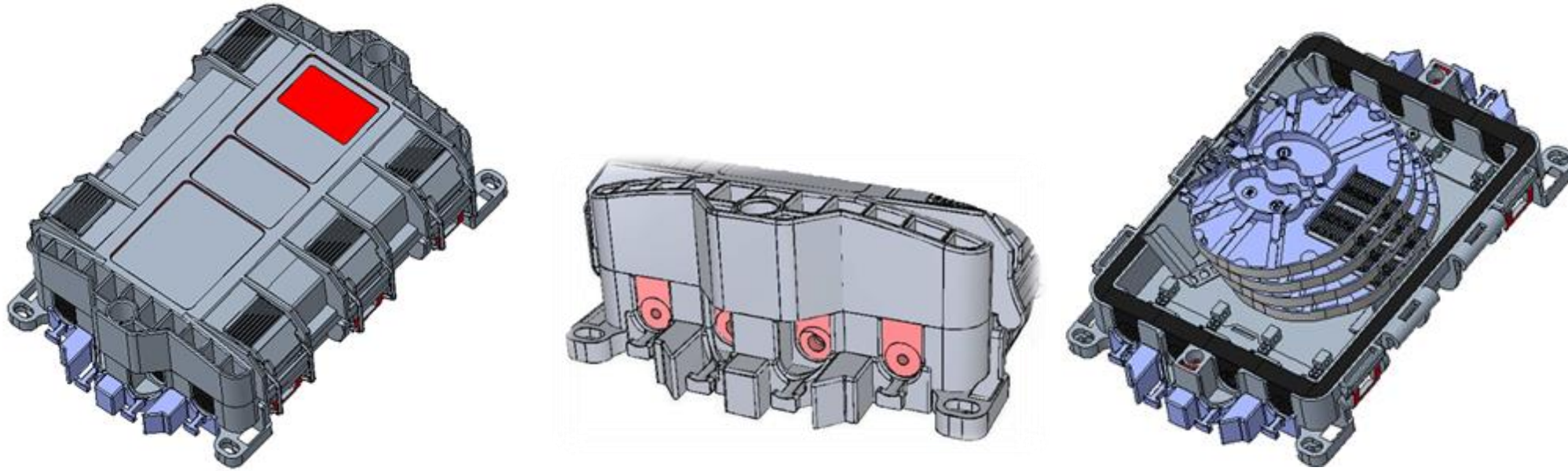
Aerial Closure—In-line Type



Key Specification

Dimension	W182×L272×H72mm	Weight	1Kg
Material	PC+ABS	Protection level	IP65
No of entry cable	Main cable: 4 ports Drop cable: 8 ports	Splice tray	Single fiber:12F
Cable diameter	Main port: Φ 7mm~11.5mm Drop port : Φ 2.0*3.0mm	Max splicing capacity	Single fiber:48F
Splitter	1:8 cassette SC/APC	Installation mode	Pole/Aerial

Aerial Closure—In-line Type



Key Specification

Dimension	W250×L185×H95mm	Weight	1Kg
Material	PC+PBT	Protection level	IP65
No of entry cable	4 in & 4 out	Splice tray	24F
Cable diameter	Φ3mm~16mm	Max splicing capacity	96F
Sealing mode	Mechanical	Installation mode	Pole/Wall/Aerial



Key Specification

Dimension	330 × 285 × 113mm	Weight	2.5-3.0Kg
Material	PC	Protection level	IP55
No of entry cable	Branch ports:4 (Φ10~Φ16mm) Drop ports: 24 (Φ2*3mm)	Splice tray	12F
Cassette Splitter	3*1:4/3*1:8/1:16	Max splicing capacity	24F
Adaptors	24pcs SC/APC	Installation mode	Pole/wall mounted



Key Specification

Dimension	W72 × L172 × H40mm	Weight	1.0Kg
Material	PC+ABS	Protection level	IP67
No of entry cable	Main cable: 2 ports Drop cable: 6 ports	Cable diameter	Main port: Φ8mm ~ 20mm Drop port : Φ2.0*3.0mm
Adaptor type	SC/APC	Max splicing capacity	Single fiber:6F
Sealing mode	Mechanical	Installation mode	Pole/Wall mounted



Key Specification

Dimension	W137×L278×H82mm	Weight	1.5-2.0Kg
Material	PP+GF	Protection level	IP68
No of entry cable	Main cable: 2 ports Drop cable: 8 ports	Cable diameter	Main port: $\Phi 8\text{mm} \sim 18\text{mm}$ Drop port : $\Phi 2.0 * 3.0\text{mm}$
Adaptor type	SC/APC	Max splicing capacity	Single fiber:8F
Sealing mode	Mechanical	Installation mode	Pole/Wall



Key Specification

Dimension	650*500*250	Weight	35-30KGS
Material	Cold rolled sheet	Protection level	IP54
Pallet	2 pcs	Splice Tray	1 pc
PDU-3 hole-5 ways-16A	1 pc	Controller	2 pcs
Van-kit	1 pc	Installation mode	Wall or floor mounted



Key Specification

Dimension	W440×L425×H109mm	Weight	7.5Kg
Material	Cold rolled sheet	Protection level	IP55
No of entry cable	2 in & 2 out	Splice tray	24F
Cable diameter	Inlet: 2 holes for Φ12-14mm cable 1 oval hole: 70*30(mm)	Max splicing capacity	48F
	Outlet: 2 holes for Φ12-14mm cable	Adaptor	24pcs SC/UPC
Splitter	2*1:4/1:8/1:16 cassette SC/UPC	Installation mode	Pole/Wall mounted

